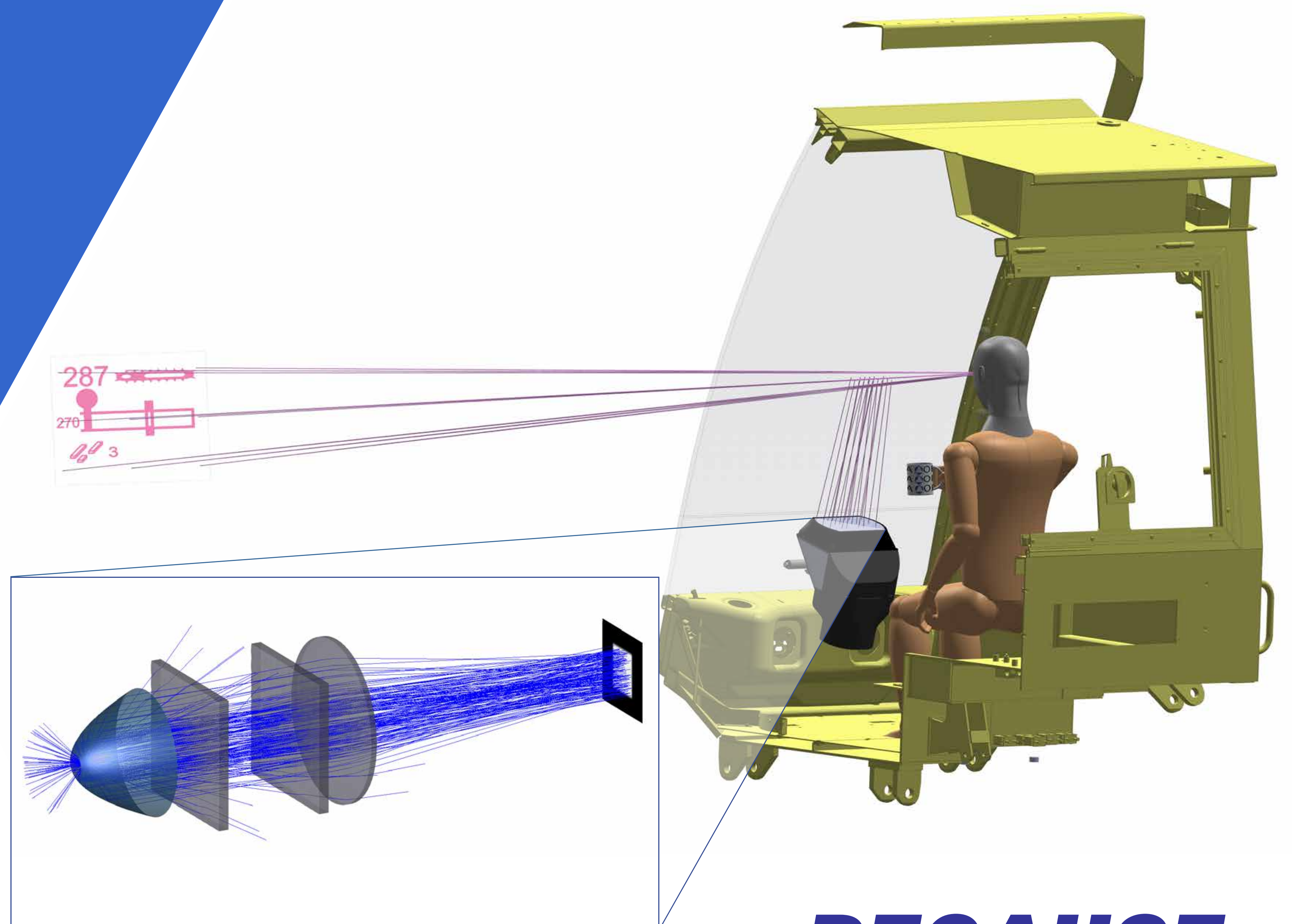




AR HO PROJECT

MISSION

Innovating HUD optics for heavy machinery AR applications. Enabling compact packaging of HUD into operator cabins.



BECAUSE

Your windshield is the best AR combiner. True AR has focus @ infinity, adjacent to where normal machine operation takes place. You deserve the NEXT GEN state of the art AR Hud Optics.

BENEFITS

- Machinery productivity increased.
- Lowering operator stress and machinery downtime.
- Lowering threshold for new operator introduction.
- Improving HMI and safety.
- Enabling: Supervised Autonomy, Dynamic Decision Making, Digital Coaching, Drone and Sensor data visualization ...